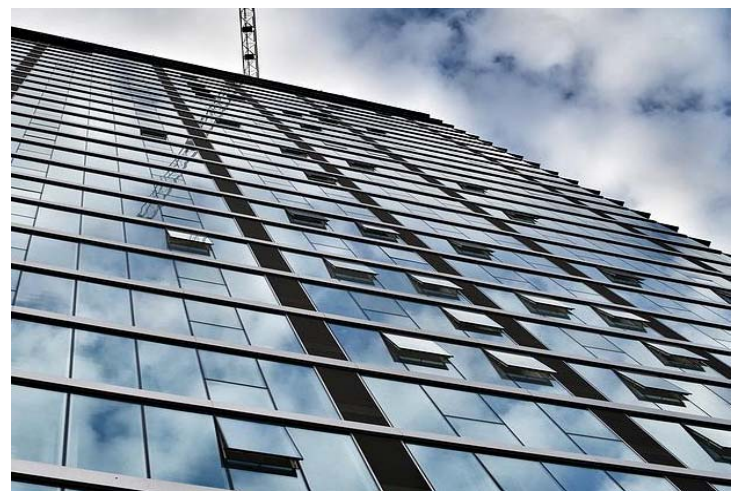
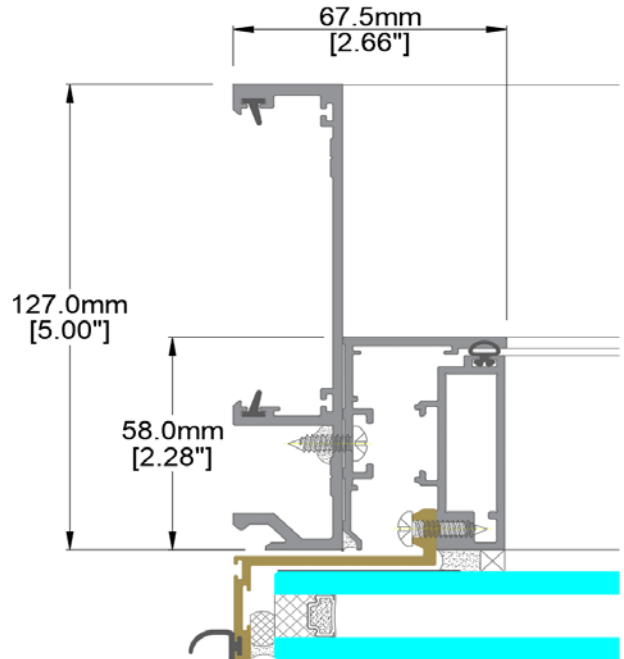


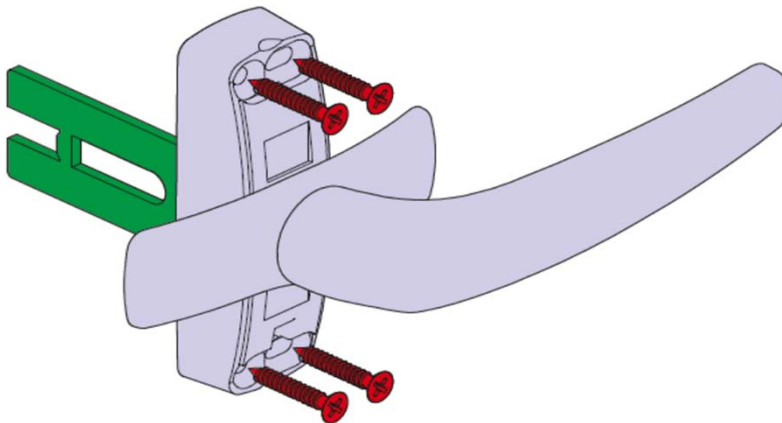
### System Features

- Structural mullion depth 5"
- Structurally glazed application
- Zero sightline system from exterior view
- Up to 24 sq.ft in area size with std 1" IG unit
- Glass from 0.94" to 1.77" thick [24 mm to 45mm]
- Savio/Kin Long hardware components
- Multi-point locking system, single handle action
- AAMA AW-80 Performance class



### System Performance

Allowable Air	Water Infiltration	NFRC U-Factor	CRF	STC
0.10 cfm/sq.ft @ 6.24 psf	12 psf	0.32-0.45 BTU/hr-ft <sup>2</sup> -°F	58 to 72	31 to 44



- Standard vent hardware solution utilizing Savio products

- Min. vent width 2'-0"

- Max. vent height 8'-0"



- ADA hardware solution utilizing Savio products

- Min. vent width of 2'-6"

- Max. vent height 7'-0"

- Shop installed and adjusted